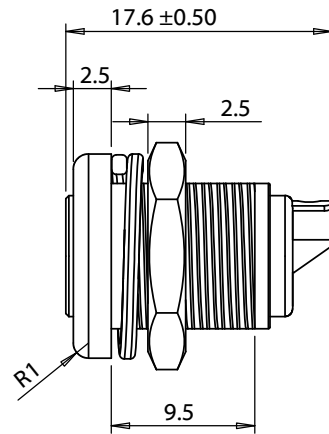


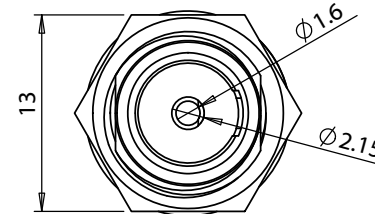
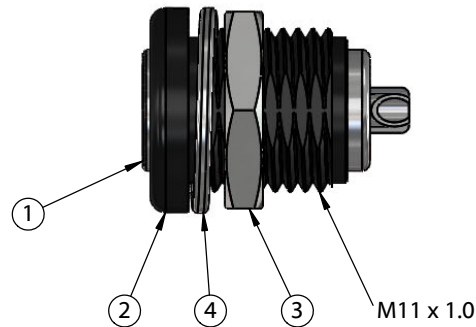
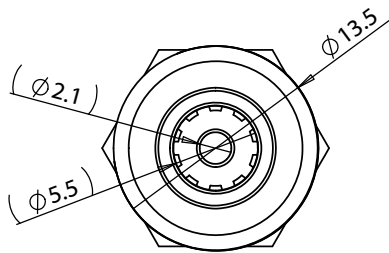
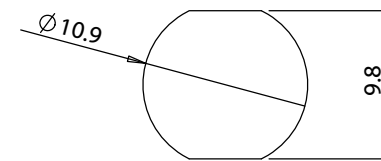
ITEM NO.	PART NUMBER	DESCRIPTION	QTY.	COMPONENT NOTES
1	50-00541	Connector, dc jack, 5.5x2.1x17.6 mm, molding style, spring contacts, nickel plated, 105° C	1	
2	24-00287	Overmold, dc jack, 13.5x14 mm, panel mount	1	Nylon 94V-0 , black
3	56-00000	Hardware, nut, hex, 13x2.5 mm, M11x1.0, brass, nickel plated	1	
4	56-00001	Hardware, washer, lock, 14x11.1x1.1 mm, SPCC, nickel plated	1	



**Installation Details**

Panel thickness: 1.5 - 4.5

Recommended panel cutout:



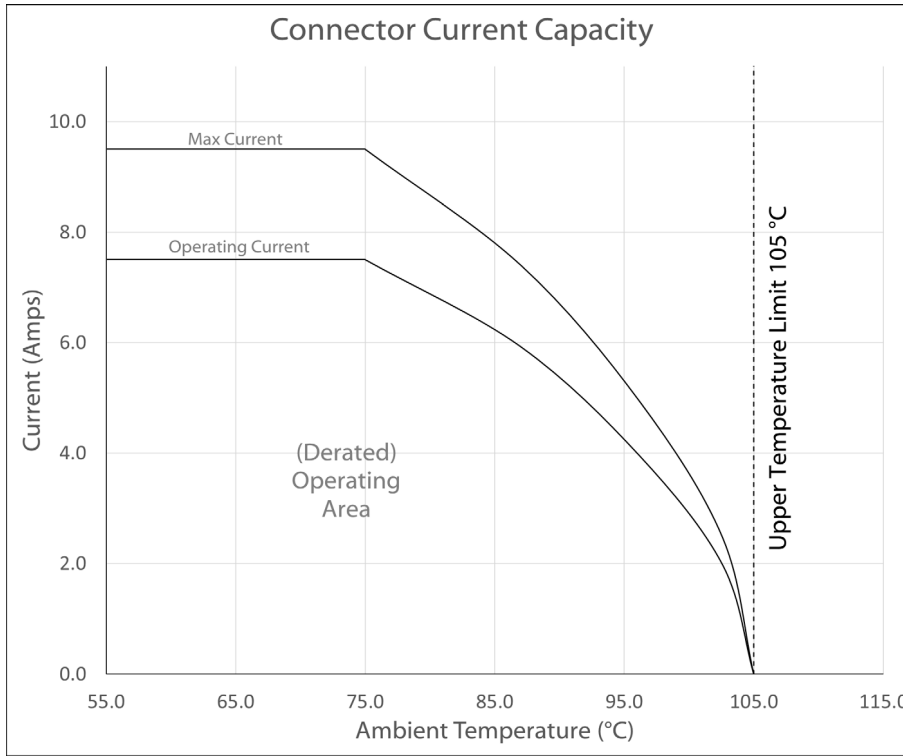
Revision:	Date:	Description:	Prepared:	Notes:	<h1>TENSILITY</h1> <p>tel 1.541.323.3228 800 877.670.7118 fax 1.541.323.4202 web tensility.com</p>
A	10/30/2018	Initial release		RoHS compliant	
A1	12/13/2018	Updated overmold material	Verified:	Function test: no open, no short circuit, no intermittent	
			Dimensions are in millimeters. Tolerances: X: ± 0.3 mm X.X: ± 0.1 mm X.XX: ± 0.05 mm	Description: Connector, dc jack, 5.5x2.1xL17.6 mm, panel mount, threaded, nut and washer, 105 °C	
				Size: A	Part number: 54-00151
				Scale: 2:1	

**Ratings**

Maximum Operating Voltage: 48 Vdc  
 Maximum Operating Current: 7.5 A

**Operating Temperature Range**

-25° to 105 °C, relative humidity of 85% or less



Testing based on IEC 60512-5-2. Max current curve generated with isolated test article under controlled environmental conditions, and does not take into account external factors such as housings, mating cables, or other circuitry. Operating current curve (derated by 20% of maximum values) accounts for external factors, and manufacturing variation.

Revision:	Date:	Description:	Prepared:	Notes:	<h1>TENSILITY</h1> <p>tel 1.541.323.3228 800 877.670.7118                  fax 1.541.323.4202 web tensility.com</p>
A	10/30/2018	Initial release	Verified:	RoHS compliant	
A1	12/13/2018	Updated overmold material	Dimensions are in millimeters. Tolerances: X: ± 0.3 mm X.X: ± 0.1 mm X.XX: ± 0.05 mm	Function test: no open, no short circuit, no intermittent	Size: A
				Description: Connector, dc jack, 5.5x2.1xL17.6 mm, panel mount, threaded, nut and washer, 105 °C	Part number: <b>54-00151</b>
					Scale: 2:1
					Sheet 2 of 2