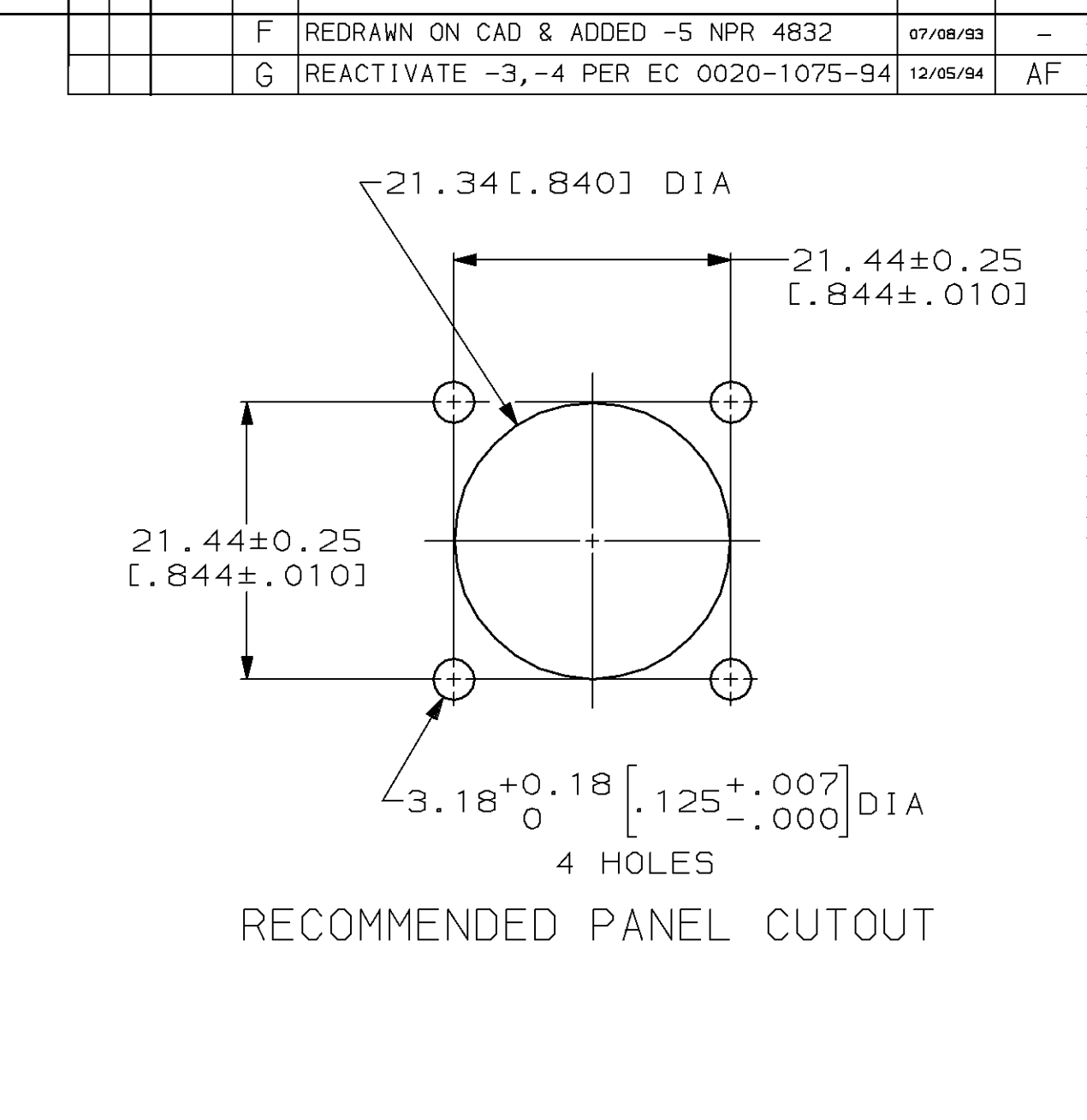
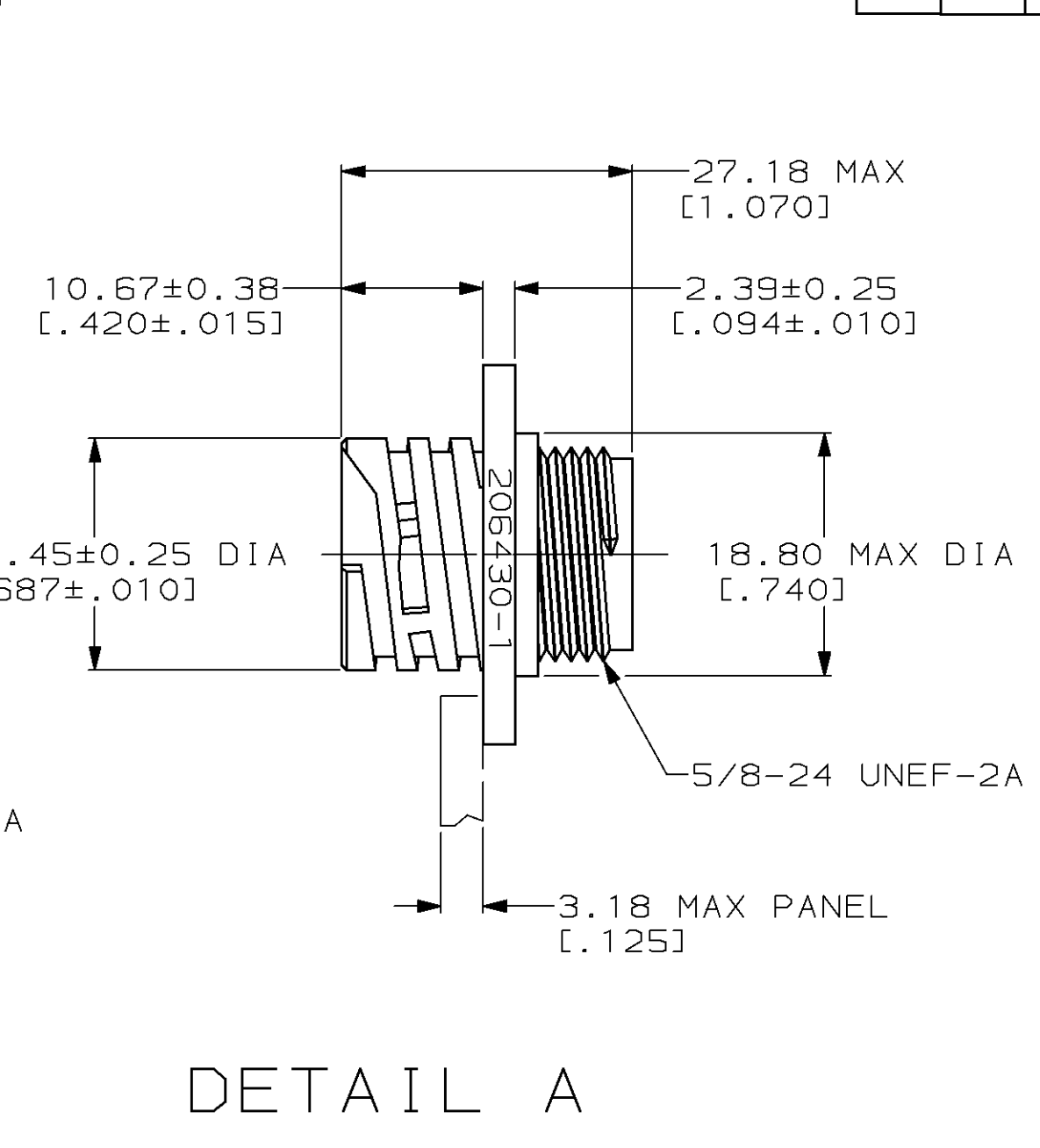
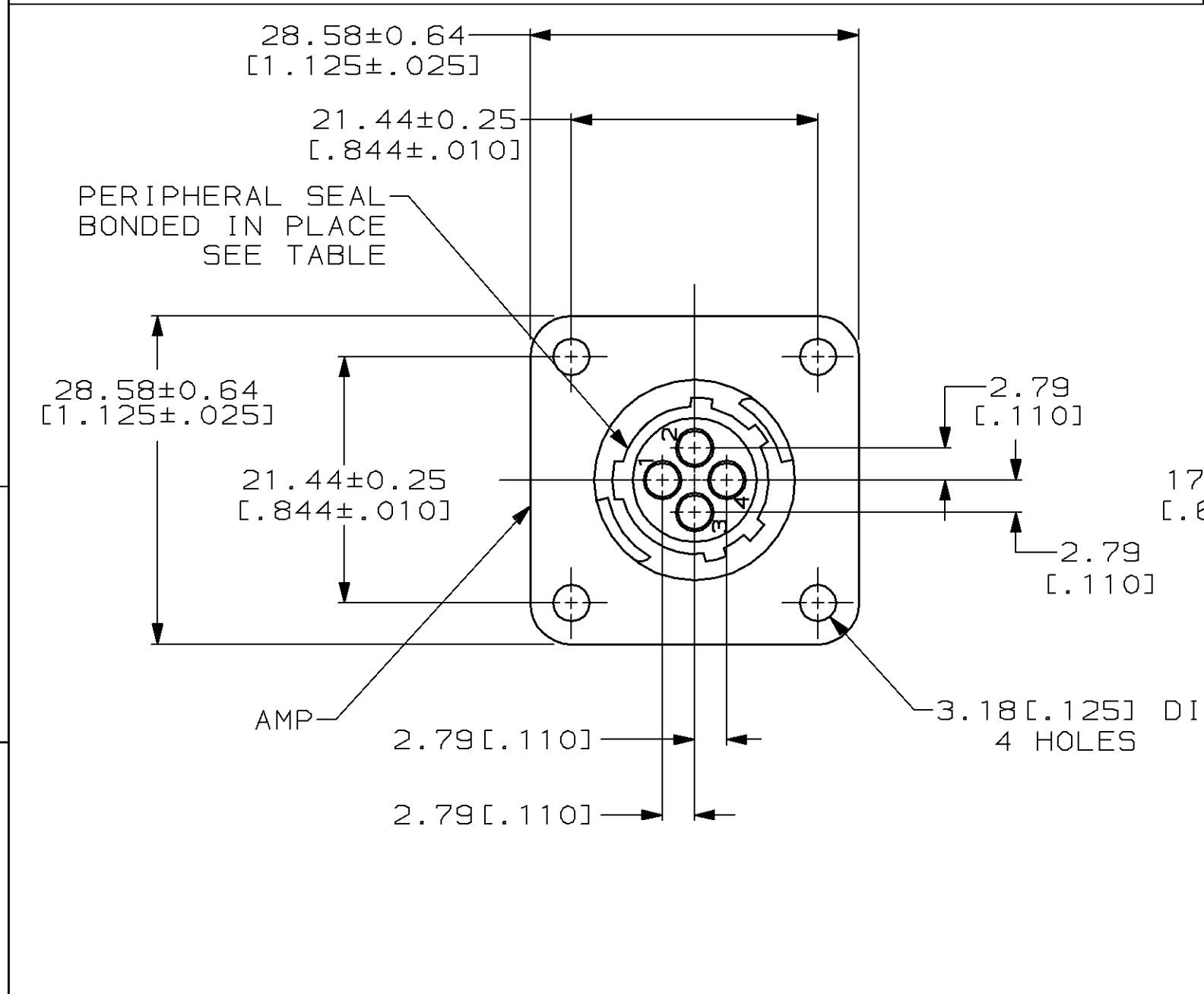
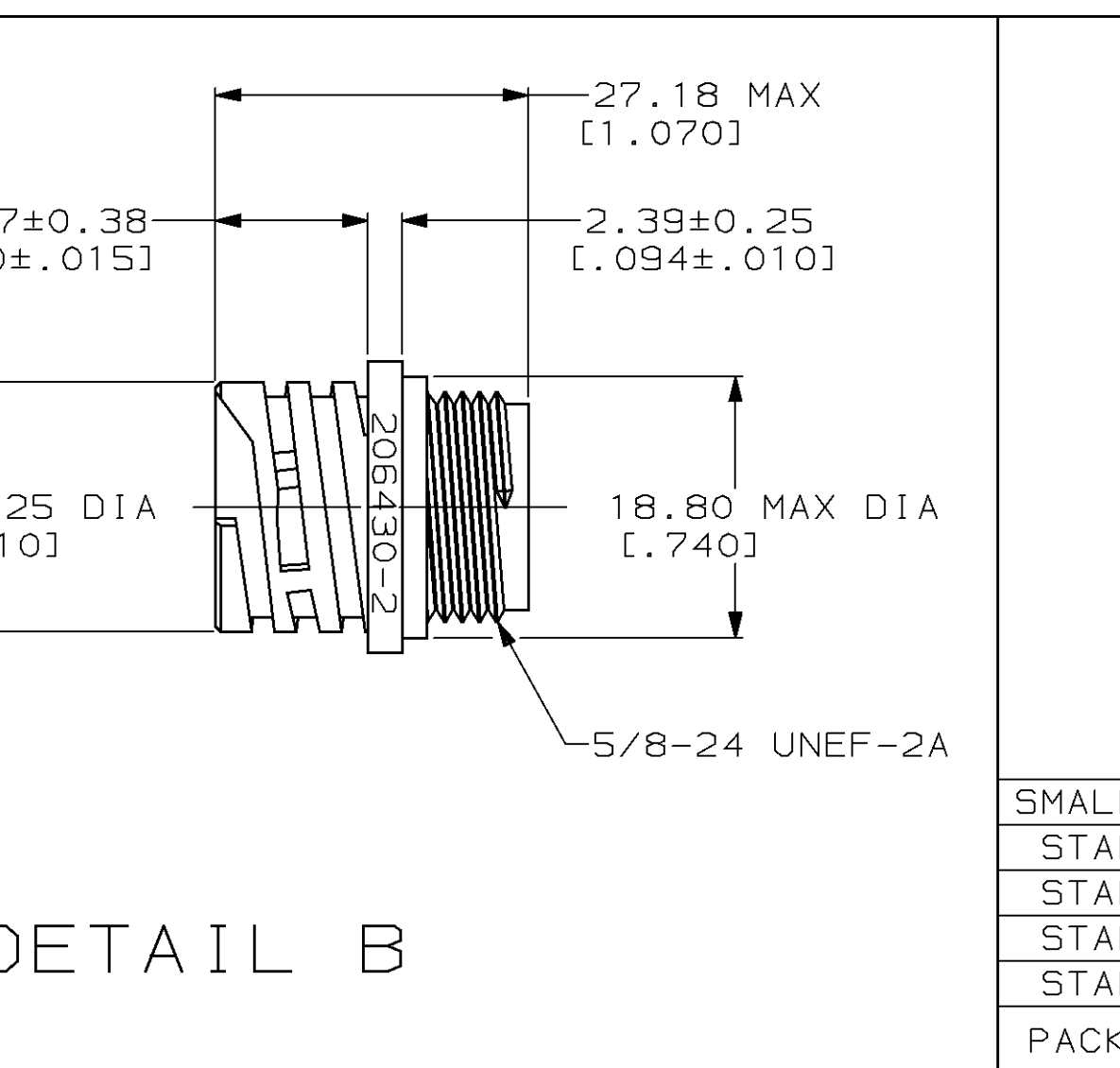
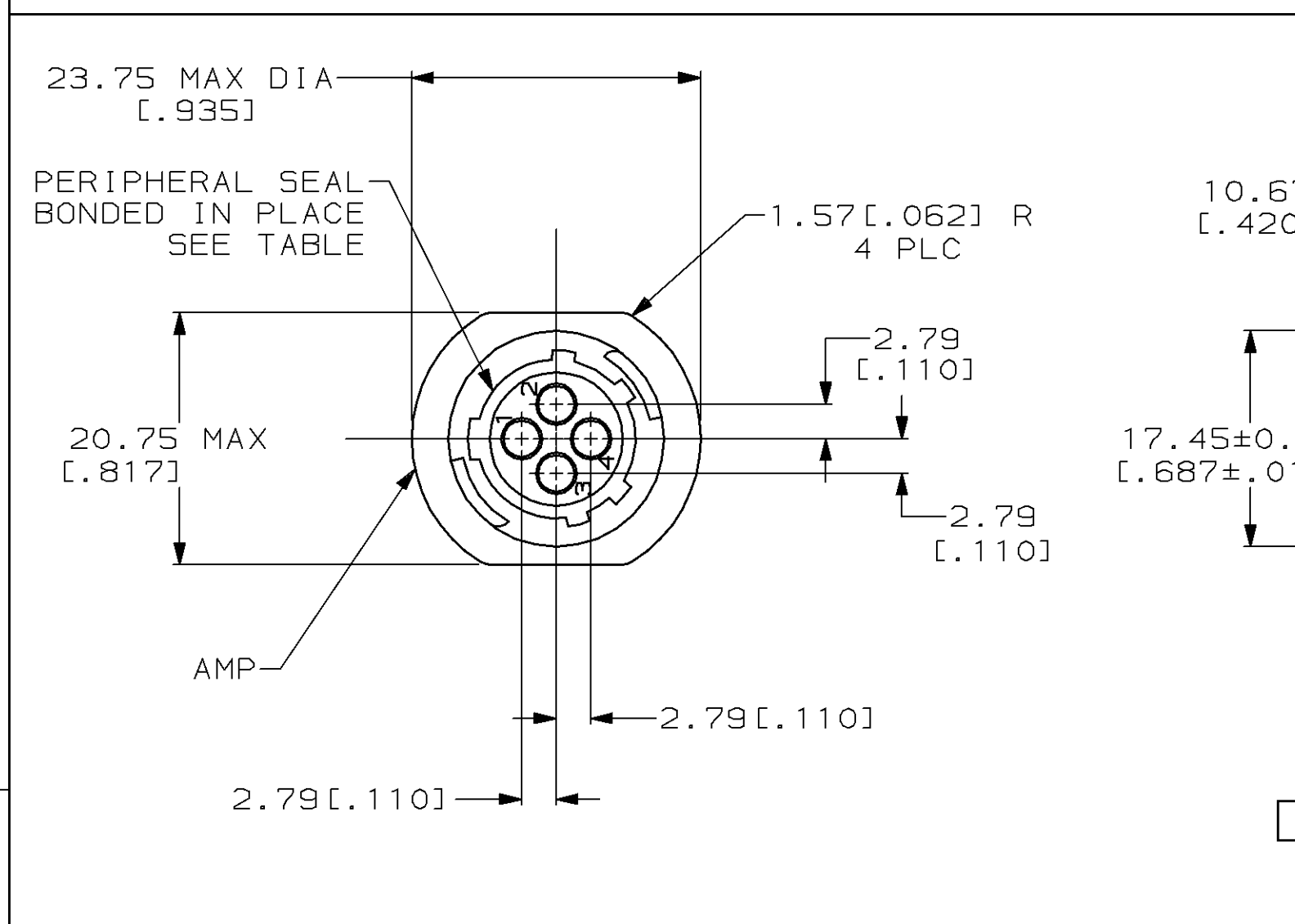


MOD		LOC		DIST		REVISIONS				
P	F	ZONE	LTR	DESCRIPTION	DATE	APPD				
4		BD		35			F	REDRAWN ON CAD & ADDED -5 NPR 4832	07/08/93	-
							G	REACTIVATE -3,-4 PER EC 0020-1075-94	12/05/94	AF



DETAIL A



DETAIL B

SMALL PACK	NO	A	206430-5
STANDARD	YES	B	206430-4
STANDARD	YES	A	206430-3
STANDARD	NO	B	206430-2
STANDARD	NO	A	206430-1
PACKAGING	PERIPHERAL SEAL	SEE DETAIL	PART NO

1. CAVITY IDENTIFICATION ON FRONT AND REAR FACE.  
 2. WILL ACCEPT FOUR (4) MULTIMATE SOCKET CONTACTS.

DO NOT SCALE PRINT. UNLESS SPECIFIED DIMENSIONS IN mm [INCHES] TOLERANCES ON:  
 2 PLC DEC ± 0.13 [.005]  
 3 PLC DEC ± -  
 ANGLES ± -  
 MATERIAL  
 NYLON, BLACK  
 FINISH  
 -

DR 09/09/92 W.LENKER		AMP Incorporated Harrisburg, PA 17105-3608	
CHK 08/11/93 R.STONE			
APPD 08/13/93 A.FRANTUM		NAME	
APPD 08/13/93 A.FRANTUM		RECEPTACLE HOUSING, REVERSE SEX, SHELL SIZE 11, CPC	
PRODUCT SPEC 108-10024		SIZE	CAGE CODE
APPLICATION SPEC -		③	00779
WEIGHT -		DRAWING NO	③=206430
		SCALE	2:1
		SHEET	1 OF 1

THIS DRAWING IS A CONTROLLED DOCUMENT FOR AMP INCORPORATED. IT IS SUBJECT TO CHANGE AND THE CONTROLLING ENGINEERING ORGANIZATION SHOULD BE CONTACTED FOR THE LATEST REVISION.